

# ARCTIKO LF 100

true cooling specialists



## HIGH LEVEL OF SECURITY FOR YOUR SAMPLES, DUE TO THE GREAT COOLING PERFORMANCE WITH AIR FORCED COOLING.

Automatic defrost saves you time to focus on what's most important and stores the samples safely.

### ► ATEX

This unit can be made in an ATEX version – approved according to EN 60079-15 category 3, zone 2. CE EX 11/-3 G.

### ► FLEXIBLE STORAGE SOLUTIONS

This freezer is a functional freezer with flexible storage solutions. The freezer is highly customizable allowing for maximum flexibility in frozen biologicals or other samples you store within.

This allows the user to organize their unit exactly as desired. Our universal shelf and drawer guides allow you to mix shelves and drawers for flexible storage.

### ► EXCEPTIONAL COOLING

Arctiko has combined the high quality cooling performance created by air-forced cooling and automatic defrosting.

The results meet the more stringent requirements for lower power consumption, more precise cooling uniformity, need for temperature and alarm surveillance, documentation and validation, making the LF 100 the perfect solution for biomedical storage.



LF 100\*



FORCED AIR COOLING



AVAILABLE IN ATEX



FILTERLESS CONSTRUCTION

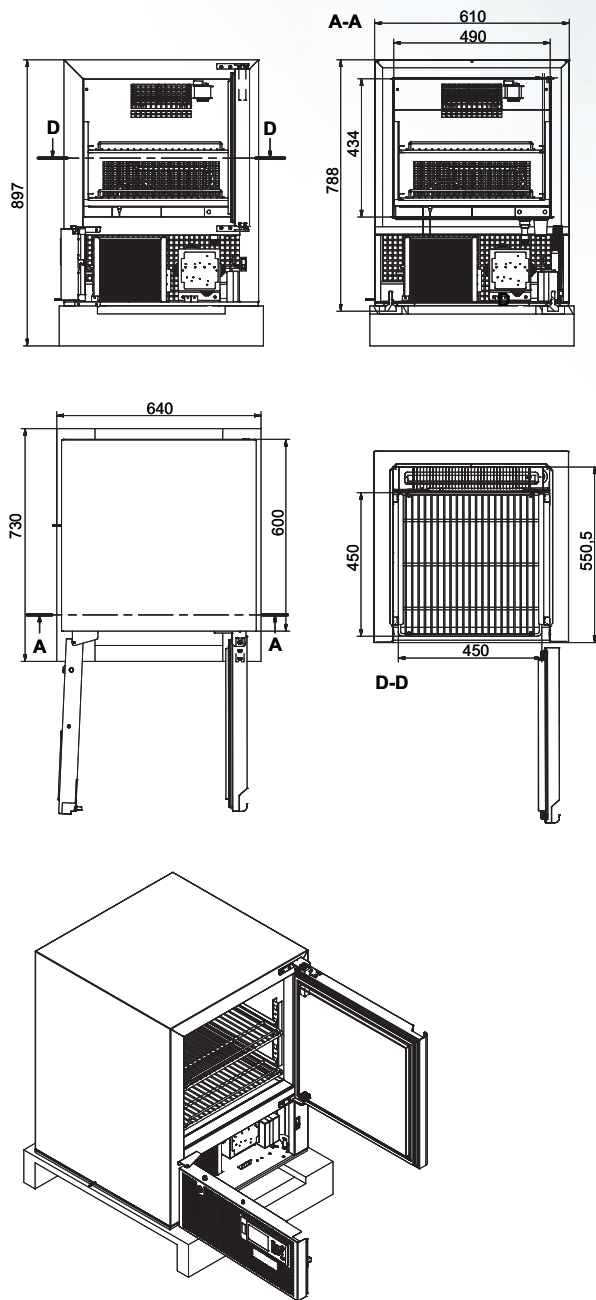


FLEXIBLE SHELVES

\* The pictures shown are for reference only, actual product size may vary. Please read the dimensions of the product in the specifications.

The ARCTIKO LF 100 model supports following optional features:

- Modbus adapter for G214 controller
- Temperature chart recorder
- GSM alarm module
- Voltage converter
- Voltage stabilizer
- Stainless steel drawers
- Perforated shelf stainless steel
- Stainless steel shelf
- Wire shelf
- LED Light



|  | MODEL   | LF 100                  |
|--|---|-------------------------|
| Main specifications                      | Item code   | DAI 0285                |
|  | Temperature range (°C)  | -10 / -30               |
|  | Max. ambient temperature (°C)                                     | 25                      |
|  | Capacity (L)  | 94                      |
|  | Exterior dimensions WxDxH (mm)                                    | 610x659x790             |
|  | Interior dimensions WxDxH (mm)                                    | 490x440x434             |
|  | Weight (kg)   | 65                      |
|  | Insulation (mm)   | 60                      |
|  | Cooling technology  | forced air              |
| Controller model / probe type            | G214 / PT1000   |                         |
| Power                                    | Power supply (V)  | 230*                    |
|  | Frequency (Hz)  | 50/60                   |
|  | Power consumption (kWh/24h)                                       | 10.1                    |
|  | AMP (A)   | 3.7                     |
|  | Power (Watt)  | 559                     |
| Horse power (HP)                         | 3/8   |                         |
| Alarm functions                          | Alarm display as text - not codes                                 | yes                     |
|  | Visual / acoustic alarm   | yes / yes               |
|  | Power failure alarm   | yes                     |
|  | Adjustable high / low temperature alarm                           | yes / yes               |
|  | Open door alarm   | yes                     |
|  | Probe failure alarm   | yes                     |
|  | Low battery alarm   | yes                     |
|  | Compressor failure alarm  | yes                     |
| Battery backup for alarms (approx. hrs.) | 72  |                         |
| Data logging & external connection       | Voltage free contact for remote alarm (e.g. GSM alarm module)     | yes                     |
|  | Electronic data logger  | yes                     |
|  | RS 485 port   | yes                     |
|  | USB port for software update & data download                      | yes                     |
| Temperature chart recorder               | optional  |                         |
| Display features                         | Display type  | 4,3" with touch buttons |
|  | Number of optional reference probes                               | 2                       |
|  | Password protection for turning unit on / off                     | yes                     |
|  | Temperature graph on display                                      | yes                     |
| Other features                           | Automatic defrost   | yes                     |
|  | Antifreeze function   | no                      |
|  | Vacuum release port   | no                      |
|  | Access port for external probe etc. (int. diameter mm)            | optional                |
|  | Light   | no                      |
|  | Lock with key   | yes                     |
|  | Castors (total pcs) / castors with brake (pcs)                    | 2 rollers / 0           |
|  | Fixed feet (pcs) / levelling feet (pcs)                           | 0 / 2                   |
|  | Sub lids / inner doors (pcs)                                      | no                      |
|  | Reversible door(s)  | no                      |
|  | Fixed shelves (pcs) / adjustable shelves (pcs)                    | 0 / 2                   |
|  | Max. no. of shelves (pcs) / recommended max. no. of shelves (pcs) | 5 / 3                   |
| Max. load per shelf (kg)                 | 30  |                         |
| Adjustable drawers (pcs)                 | optional  |                         |
| Max. no. of adjustable drawers (pcs)     | 2   |                         |
| Max. load per adjustable drawer (kg)     | 30  |                         |
| Refrigeration & cabinet                  | Number of compressors   | 1                       |
|  | Refrigerant   | R290                    |
|  | Interior cabinet material   | stainless steel         |
|  | Exterior cabinet material   | painted steel           |
|  | Colour (exterior cabinet)   | white                   |
|  | Foam type   | polyurethane            |
| VIP vacuum insulated panels              | no  |                         |
| Shipping                                 | Shipping weight (kg)  | 87                      |
|  | Shipping dimensions WxDxH (cm)                                    | 81x69x103               |
|  | Shipping volume (m <sup>3</sup> )                                 | 0,58                    |

\*110V/60Hz available as option

