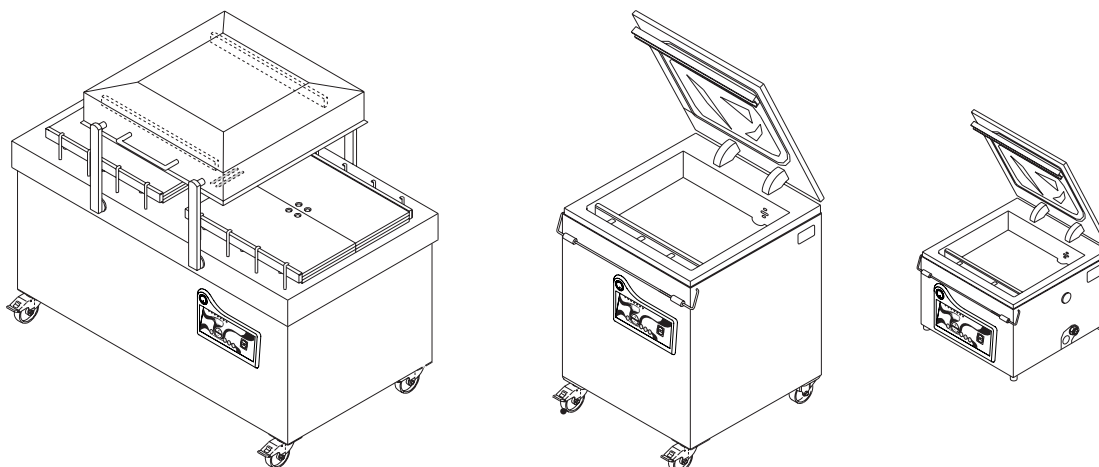


**HENKOVAC**<sup>®</sup>  
vacuum packaging machines

<http://www.henkovac.nl>, e-mail: [info@henkovac.nl](mailto:info@henkovac.nl).

## User manual



Vacuum packaging machines

"E-Series"

"i-Series"

"BASIC-Series"

Manufactured by:

***HFE vacuum systems*** 

Het Sterrenbeeld 36, 5215 ML 's-Hertogenbosch, The Netherlands

P.O.Box 2261, 5202 CG 's-Hertogenbosch, The Netherlands

tel: +31(0)73-6271271, fax: +31(0)73-6271200

<http://www.hfe.nl>, e-mail: [info@hfe.nl](mailto:info@hfe.nl)

©2006 HFE Vacuum Systems BV

All rights reserved.

No part of this document may be reproduced and/or published by means of printing, photocopy, microfilm or any other method, without the prior written permission of the manufacturer. This also applies for the accompanying illustrations and/or diagrams and schematics.

The information in this document is based on the general data associated with the construction, material qualities and working methods, known at the moment of publication, so that we reserve the right to make changes without giving prior notice.

This document is applicable to the indicated models of the Henkovac packing machine in the version supplied. The manufacturer therefore does accept any liability for any form of damage or injury resulting from deviating from the specifications of these machines as supplied to you.

All possible care was taken when creating this document, but the manufacturer accepts no liability for mistakes or any consequences thereof.

**TAKE THE TIME TO READ THIS DOCUMENT THOROUGHLY TO ACQUAINT YOURSELF WITH THE CORRECT AND APPROPRIATE USE OF THE HENKOVAC VACUUM PACKING MACHINES.**

2006-03

# CONTENTS

<b>1.</b>	<b>General.....</b>	<b>5</b>
<b>2.</b>	<b>Safety instructions and danger warnings.....</b>	<b>7</b>
<b>3.</b>	<b>The machine .....</b>	<b>11</b>
<b>3.1</b>	<b>Operation .....</b>	<b>11</b>
3.1.1	<i>Sensor control(E-series) .....</i>	11
3.1.2	<i>Time control (E-series).....</i>	11
<b>3.2</b>	<b>Options .....</b>	<b>11</b>
3.2.1	<i>Less-vacuum(E-series) .....</i>	11
3.2.2	<i>Vacuum plus (vac+) (E-series).....</i>	12
3.2.3	<i>Gas .....</i>	12
3.2.4	<i>Sealing.....</i>	12
3.2.5	<i>Soft-air .....</i>	12
3.2.6	<i>Multi-cycle.....</i>	12
<b>4.</b>	<b>Installation .....</b>	<b>13</b>
<b>4.1</b>	<b>Machines with a transparent cover .....</b>	<b>13</b>
<b>4.2</b>	<b>Machines with a stainless cover.....</b>	<b>14</b>
<b>4.3</b>	<b>Installation .....</b>	<b>15</b>
<b>4.4</b>	<b>Connecting the gas .....</b>	<b>16</b>
<b>4.5</b>	<b>Connecting the seal-pressure.....</b>	<b>16</b>
<b>5.</b>	<b>Control panel “E-series” .....</b>	<b>17</b>
<b>5.1</b>	<b>Control panel .....</b>	<b>17</b>
5.1.1	<i>Symbols .....</i>	18
5.1.2	<i>Factory settings.....</i>	18
<b>5.2</b>	<b>Programming of the E-series control.....</b>	<b>19</b>
5.2.1	<i>Programming with an open cover .....</i>	19
5.2.2	<i>Programming with a closed cover.....</i>	20
5.2.3	<i>Special functions.....</i>	21
<b>6.</b>	<b>Control panel “BASIC” .....</b>	<b>23</b>
<b>6.1</b>	<b>Control panel .....</b>	<b>23</b>
6.1.1	<i>Symbols .....</i>	24
6.1.2	<i>Factory settings.....</i>	24
<b>6.2</b>	<b>Programming of the BASIC-control.....</b>	<b>25</b>
6.2.1	<i>Programming with an open cover .....</i>	25
<b>7.</b>	<b>Packing .....</b>	<b>26</b>
<b>7.1</b>	<b>Dry products .....</b>	<b>26</b>
<b>7.2</b>	<b>Moist and fluid products.....</b>	<b>28</b>

<b>8.</b>	<b>Maintenance .....</b>	<b>29</b>
8.1	Cleaning.....	29
8.2	Cover rubber .....	29
8.2.1	<i>Machines with a transparent or aluminium cover.....</i>	29
8.2.2	<i>Machines with a stainless cover .....</i>	30
8.3	Power cable.....	30
8.4	The vacuum pump.....	30
8.4.1	<i>Warming up the pump (E-series) .....</i>	30
8.4.2	<i>Warming up the pump (BASIC-series).....</i>	30
8.4.3	<i>Filling with oil.....</i>	31
8.4.4	<i>Changing the oil.....</i>	32
8.5	Oil dampers and springs .....	32
8.6	Seal beams and counter beams .....	33
8.6.1	<i>Replacing seal wire and teflon tape (single seal beam).....</i>	33
8.6.2	<i>Replacing the seal wire(s) and the teflon tape (stainless seal beam) .....</i>	34
8.6.3	<i>Replacing the seal wire(s) and the teflon tape (aluminium seal beam).....</i>	35
8.6.4	<i>Fitting new wires on the seal beam:.....</i>	35
8.6.5	<i>Replacing seal wires on the T-seal beam: .....</i>	36
8.6.6	<i>Teflon lining to the seal beam .....</i>	36
8.6.7	<i>Replacing the counter beam silicon rubber.....</i>	37
8.7	Vacuum hoses and pipes .....	37
<b>9.</b>	<b>Faults and messages .....</b>	<b>38</b>
<b>10.</b>	<b>Technical data.....</b>	<b>41</b>
10.1	Machines in the stainless series .....	41
10.1.1	<i>Machines with a transparent cover E-series (Table top and Mobile) .....</i>	41
10.1.2	<i>Machines with a transparent cover i-series (Table top and Mobile).....</i>	42
10.1.3	<i>Machines with a metal cover (Heavy duty) .....</i>	43
10.2	Machines in the aluminium series .....	44
10.3	Connections .....	45
10.4	General data .....	45
<b>11.</b>	<b>CE-Declaration .....</b>	<b>46</b>

## 1. GENERAL

### Use of the manual

This manual is intended as a reference for users and technicians, who can install, use and maintain the machine(s) stated on the front of this document in a safe way.

### Pictograms and symbols at the machine

At the machine the following pictograms and symbols are attached to the machine:



#### WARNING

**First consult the documentation with regard to:  
Connecting the gas.**

**CONNECTING THE SEAL PRESSURE.**



#### Danger of electrical shock.

- **Before opening: First remove the plug from the wall socket!**
- **Only qualified personnel are allowed to open the unit.**



Connection for extra sealing pressure



Connection for gas

### Pictograms and symbols at the machine

In this manual the following pictograms and symbols are used (Fig. 4-2, Fig. 4-4, Fig. 4-6 or Fig. 4-7):



#### Note

**Suggestions and advice to make carrying out the particular tasks or actions easier.**



#### Warning

**Procedures that can result in damage to the machine, the surroundings and the environment or physical injury when not carried out carefully.**



#### DANGER

**DANGER OF ELECTRICAL SHOCK!**



#### Attention for the environment

Residual substances can contain valuable substances and materials that can be suitable for recycling. Waste may also contain substances that are harmful to the environment.

### Illustrations

Because of the number of types and models it is impossible for practical reasons to illustrate every variation. Nevertheless, the illustrations used show the principles of operation of the machine identified on the front of this document.

### Service and technical support

For information concerning specific settings, maintenance or repair work that is outside the scope of this manual, contact the supplier of the machine. He is always ready to help you. Make sure that you have the following data available:

- machine type
- serial number

This data can be found on the identification plate.

### Identification of the machine

The identification plate (Fig. 1-1) contains the following data:

- A. Type
- B. Serial number
- C. Year of manufacture
- D. Number of phases – voltage (Volt: V)
- E. Frequency (Hertz: Hz)
- F. Current (Ampere: A)
- G. Weight (kilogram: kg)

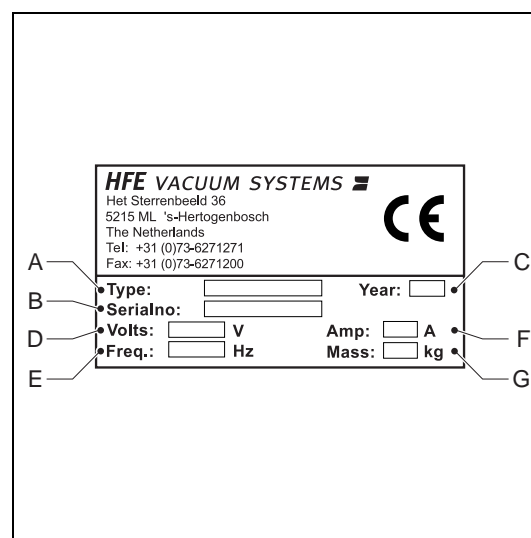


Fig. 1-1: Identification plate

## 2. SAFETY INSTRUCTIONS AND DANGER WARNINGS

### General

The manufacturer accepts no liability whatsoever for damage or injury caused by not (strictly) following the safety directions and instructions in this manual, or carelessness during the installation, use, maintenance and repair of the machines identified on the front of this document and any accompanying options.

**The owner of the machine is responsible at all times for observing the locally applicable safety regulations and guidelines.**

**Obey all safety instructions and guidelines as given in this manual.**

### Users manual

- Every user should be informed of the contents of this manual and follow the instructions in it carefully. Management must train personnel on the basis of this manual and obey all directions and indications.
- Never change the order of the actions to be taken.
- Always keep the manual in the proximity of the machine.

### Pictograms and instructions on the machine

- The pictograms, warnings and instructions that have been attached to the machine are part of the safety measures taken.
- They should not be damaged or removed and they should remain present and readable throughout the entire life span of the machine.
- Replace or repair unreadable or damaged pictograms, warnings and instructions immediately.

### Intended use of the machine<sup>1</sup>

The machine is designed for vacuum packaging food products, for 8 hours a day, 5 days a week. Any other or extended use is not according to the purpose. The manufacturer accepts no liability for damage or injury resulting from this. Use the machine only in a technically perfect condition, in accordance with the purpose described above.

### Technical specifications

The specifications stated in this manual may not be changed.

### Modifications

Modification of (parts of) the machine is not permitted.

\*1 The "Use in accordance with purpose" as established in EN 292-1 is the use for which the technical product is suitable according to the statement by the manufacturer – including his directions in the sales brochure -. When in doubt it is the use that appears to be the most usual from the construction, model and function of the product. Use in accordance with the purpose means observing the instructions in the users manual.

### Safety precautions

The machine is fitted as standard with the following safety precautions:

- Main switch
- Cover switch
- Short circuit and overload safety
- Pump fan guards

### Main switch

With the main switch (Fig. 2-1) the machine can be made voltage free. The main switch can also be used as an emergency stop.

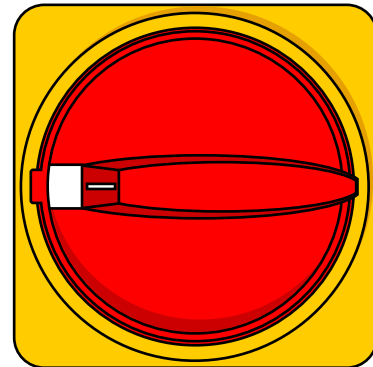


Fig. 2-1: Main switch

### Cover switch

The Cover switch prevents the seal beam(s) getting hot as a result of a malfunction or defect when the Cover is open.



### WARNING

THE SAFETY WORKS CORRECTLY WHEN THE MACHINE APPLIES A VACUUM, WHEN THE COVER IS ALMOST CLOSED. THIS SAFETY MUST BE CHECKED FOR CORRECT OPERATION REGULARLY AND, WHEN NECESSARY, IT MUST BE REPAIRED IMMEDIATELY.

### Short circuit and overload safety

The machine is equipped with safety measures that prevent components becoming overheated by overloading or short-circuiting.

### Notes!

- The overload safety circuits on the seal transformers are self-resetting, which means that the safety resets itself when the transformer has cooled down sufficiently. Operate the machine at a slower speed or decrease the sealing time if the overload safety is trips regularly. Obviously, tripping the overload safety shortens the lifetime of the transformer.
- On some machines extra sealing power (see chapter 1) can be installed. Consult your dealer.
- The short-circuit safety on the seal transformer is not self-resetting, which means that the transformer must be replaced when this safety is tripped. Consult your dealer for this.

### Pump fan guards

The vacuum pump is fitted with guards that prevent you touching the fan while it is running.

### Safety measures

- All safety measures must be mounted correctly and may only be removed for maintenance and repair work by suitably trained and authorised service technicians.
- The machine may never be used if the safety measures are not complete or not present, or when they are or have been disabled.
- Safety measures may never be bridged.



**Use**

- Inspect the machine before use and check it for damage.
- Switch the machine off at the main switch if it is not used for a long time.
- Never use sharp objects to operate the keys.
- Do not allow unauthorised persons into the working environment.
- Always ensure there is adequate ventilation, especially in confined places.
- Wear clothing that is suitable for the work. Loose clothing or jewellery can get between the Cover and the vacuum chamber.
- Never use the machine in an environment in which there is an explosion risk.
- Replace the supply cable if it is damaged. Make sure that the supply cable cannot be damaged by trapping this cable.

**Hygiene**

- Cleaning the machine is of the utmost importance when food products are wrapped. Clean the machine regularly and thoroughly, preferably every day (§ 8.1).
- Work hygienically and prevent direct contact between the product and the machine as much as possible.
- Keep the operating controls free of dirt and grease.
- Lock the Cover if the machine will not be used for an extended period. This protects the vacuum chamber from dust and dirt.

**Service, maintenance and repairs**

A clear distinction is made in this manual between the service, maintenance and repair work that can be carried out by the user, and that which is reserved for trained and qualified service technicians only.

- Make sure there is adequate lighting.
- Always switch off the machine at the main switch during maintenance and/or repairs and/or remove the plug from the socket.
- Observe the maintenance intervals specified. Overdue maintenance can lead to high costs for repair and servicing and the right to guarantee can be lost.
- Always use parts, materials, lubricants and service techniques approved by the manufacturer.
- Never use worn tools and do not leave any tools inside the machine.
- Do not carry out service, maintenance or repair work to the machine, when it is indicated that the dealer or qualified service technician should carry it out.
- Always have a recognised Henkovac dealer carry out repair and maintenance work.
- Safety measures that have been removed in order to carry out service, maintenance or repairs must be refitted immediately after this work and they must be checked for correct operation.

## Vacuum packing machines and the environment



### Packaging

The packaging that is for the transportation and protection of the machine is mainly made of cardboard and/or wood, which are suitable for recycling. Do not dispose of the packaging as industrial waste but ask the sanitation department of your local government authority where you can hand in the material.



### Machine

When you dispose of your machine, it can still contain valuable substances and materials. Do not dispose of the machine as industrial waste, but enquire at your local government authority about the possibilities for recycling or environmentally friendly disposal of the material.

- Most parts of the machine have been manufactured from stainless steel and can be disposed of as scrap metal in the normal way. From health and environmental considerations, no asbestos has been used.
- The printed circuit boards and the components mounted on them are electronic waste. Deliver old printed circuit boards to specialised companies for environmentally friendly processing.



### Oil

Ask the sanitation department of your local government authority where you should take the used oil for an environmentally friendly processing.

### 3. THE MACHINE

Products can be vacuum packed with the Henkovac vacuum packing machine.

The food products or products that are to be vacuum packed are put in a vacuum bag. This is placed in the vacuum chamber of the machine. Then the cover is closed and the vacuum pump starts sucking the air out of the chamber. When the required vacuum level has been reached, the opening of the bag between the seal beam and the counter beam is pushed together, after which the bag gets sealed. After that the vacuum chamber ventilates and the cover opens automatically. The packed product can now be taken out of the vacuum chamber.

#### 3.1 Operation

The machine is equipped with a control system whose software prevents illogical settings being made.

The control has nine programs that can be changed as desired. Because of this it is possible to pack various kinds of products perfectly in a simple way.



##### Note

**The factory settings can always be recalled, which erases the programs that have been entered by you (§ 5.1.2 and § 5.2.1).**

##### 3.1.1 Sensor control (E-series)

The machine is equipped with a very accurate sensor control. With this sensor the pressure in the vacuum chamber is measured during vacuuming and, when appropriate, during the gassing and slow venting (soft-air option). The machine carries out the particular function automatically until the set pressure has been reached. Because of this the result of that particular function is independent of the air volume in the chamber or of the surrounding pressure, which guarantees a constant packing quality.

##### Notes

- The vacuum pressure is indicated in mbar.  
The factory setting is from 5 mbar to 999 mbar.
- A changeable surrounding pressure has no effect on the measurement (for example when using in an area on high mountains).

##### 3.1.2 Time control (E-series)

The sensor control can be switched off. The machine now operates via time control. This means that the vacuum, gas and soft air functions operate until the set time has elapsed.

##### Notes

- To change from sensor control to time control, see § 5.2.3.
- The vac+, seal1 and seal 2 functions are always time controlled.

#### 3.2 Options

The Henkovac machines can be equipped with the following options:

##### 3.2.1 Less-vacuum (E-series)

With this option the vacuum level can be set to over 200 mbar. The vacuum level for a machine without the less-vacuum option is limited to 200 mbar.

The E-103, E-153, E-163 and E-173 are equipped with this option as standard.

### 3.2.2 Vacuum plus (vac+) (E-series)

This option allows extra vacuuming, to give the air that is trapped inside the product time to escape from the product. When the vac+ function is activated, the machine continues to vacuum for the set vac+ time after reaching the set vacuum level.

This option can only be activated with a sensor control.

**Note:** The E-103, E-153, E-163 and E-173 machines are standard supplied with this option.

### 3.2.3 Gas

This option is used when delicate products must be packed. Applying certain mixtures of gas can lengthen the storage life of the product.

A machine with the gas option is also equipped with the less-vacuum option.

### 3.2.4 Sealing

With the help of the following options optimal sealing of the vacuum bag can be achieved for every situation

#### Different sealing seams

- **Single seal**  
Standard seal wire
- **Double seal**  
For extra seal security, two equal width sealing wires are mounted on the seal beam. This sealing method is the standard model.
- **Cut-off seal**  
For simple removal of the bag surplus, a thin cutting wire is mounted next to the seal wire. The thin cutting wire melts through the bag.
- **Seal 1/2**  
The seal beam is equipped with a sealing and a cutting wire, just like the cut-off beam. In this model the time for sealing (the seal1 time) can be set independently of the cutting time (the seal2 time). This option is used when the sealing and cutting times cannot be the same, such as with shrinking bags.

#### Extra seal pressure

With this option the seal pressure can be increased with compressed air (maximum 1 bar). The extra pressure makes sure that the seal beam is pushed harder against the counter beam during sealing. This option should especially be fitted when the seal beam is melting badly and a longer sealing time gives insufficient improvement. This situation can occur especially when using the gas option.

**The higher the gas pressure set, the more useful the extra seal pressure is.**

Every machine but (E-)193 and (E-)253 with gas setting over 500 mbar prefers extra seal pressure.

### 3.2.5 Soft-air

This option can be used when delicate products, or products with hard protrusions must be packed. The vacuum chamber is then vented slowly so that the bag has the time to shape itself softly around the product.

A machine with the soft-air option is also fitted with the less-vacuum option.

### 3.2.6 Multi-cycle

With this option the packing can be made even more free of oxygen. The machine vacuums and gasses more times in one cycle. The oxygen-free gas flushes out the residual air from the vacuum chamber so that there is less oxygen left in the packing.

A machine with the multi-cycle option is also fitted with the gas option and the less-vacuum option.

## 4. INSTALLATION

### 4.1 Machines with a transparent cover

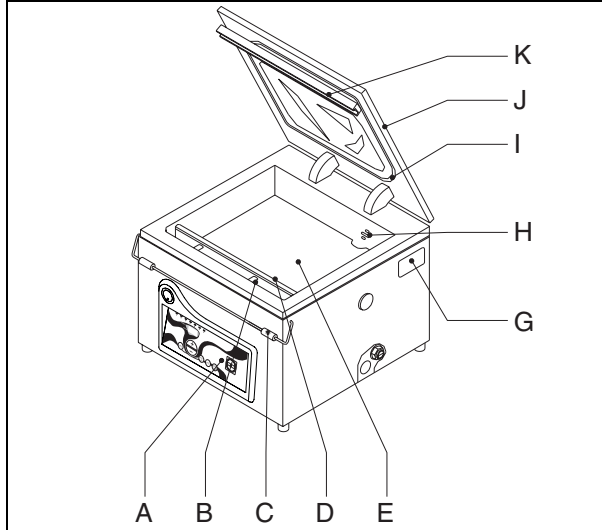


Fig. 4-1: Table model

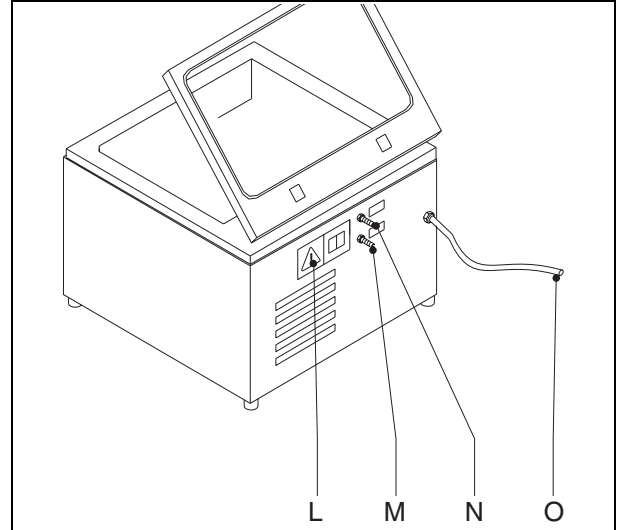


Fig. 4-2: Table model (connector side)

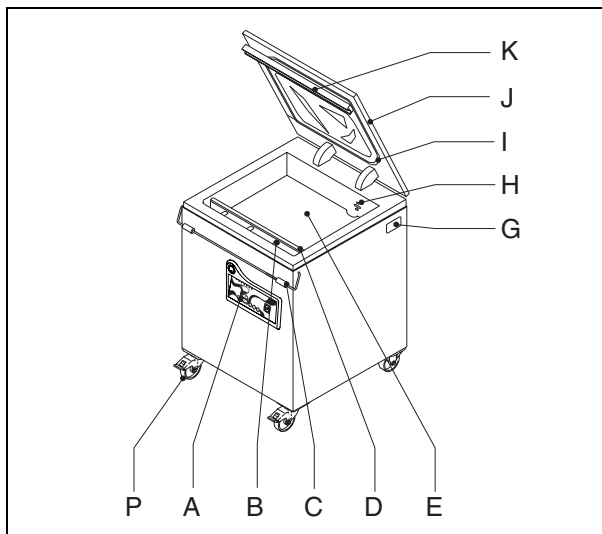


Fig. 4-3: Single chamber model (movable)

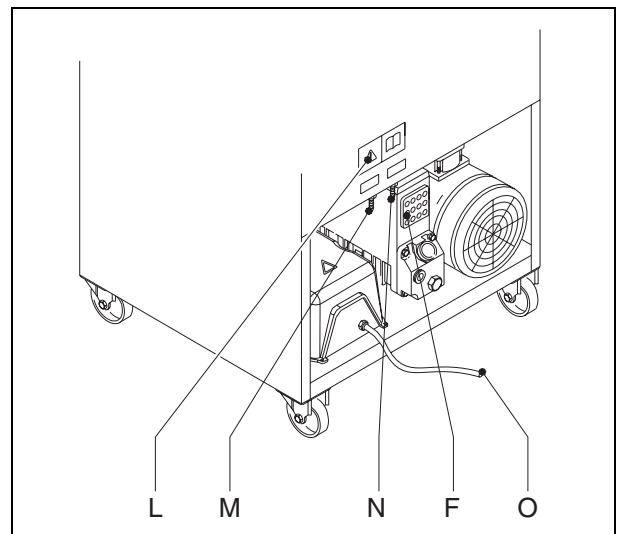


Fig. 4-4: Single chamber model (connector side)

Pos.	Description	Pos.	Description
A	Control panel	I	Silicon gasket
B	Gas pipes	J	Transparent cover
C	Cover lock	K	Pressure beam
D	Seal beam	L	Stickers
E	Filling plates	M	Gas connection
F	Ventilation opening	N	Connection for extra seal pressure
G	Identification plate	O	Power cable
H	Suction opening	P	Wheel with brake

## 4.2 Machines with a stainless cover

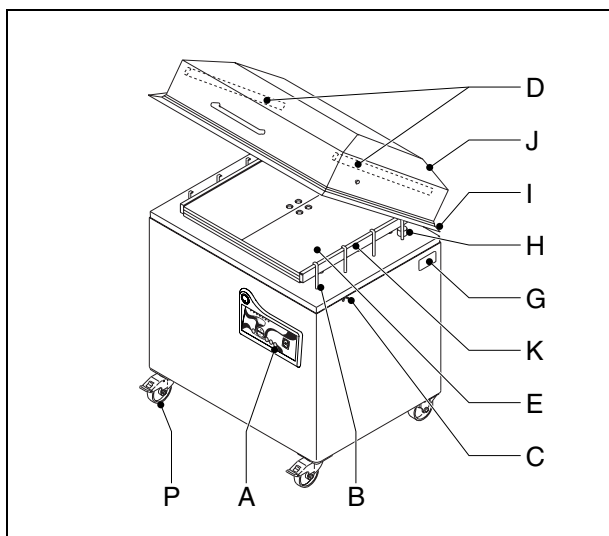


Fig. 4-5: Single chamber model (movable)

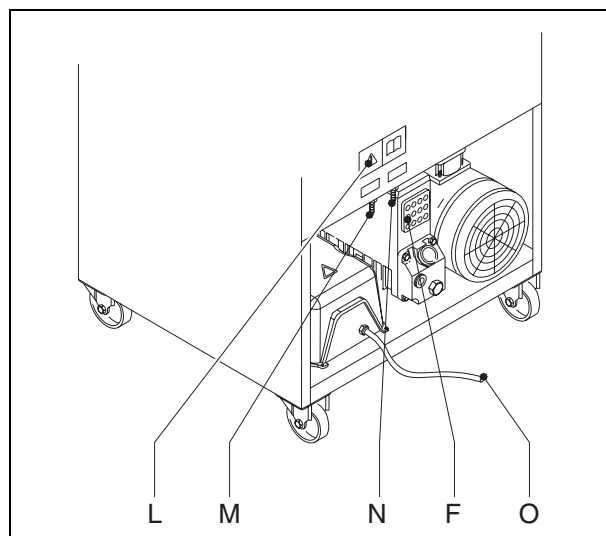


Fig. 4-6: Single chamber model (connector side)

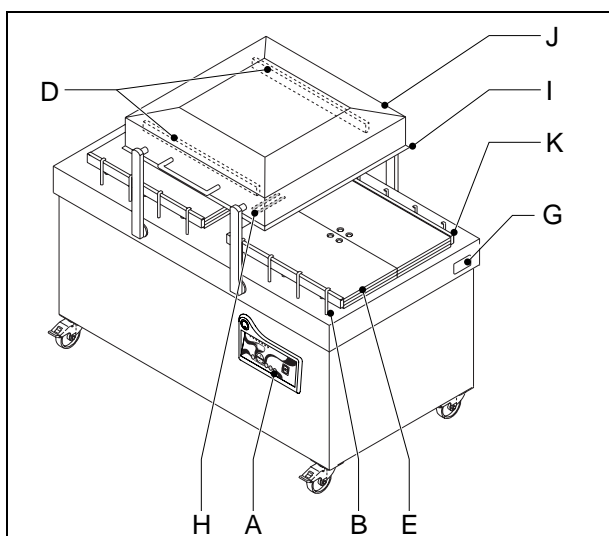


Fig. 4-7: Double chamber model (with connectors)

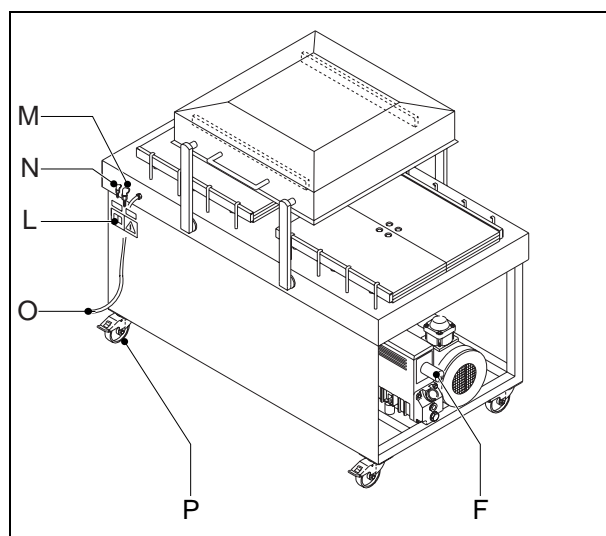


Fig. 4-8: Double chamber model

Pos.	Description	Pos.	Description
A	Control panel	I	Silicon gasket
B	Gas pipes	J	Metal cover
C	Cover lock (not for double chamber machines)	K	Pressure beam
D	Seal beam	L	Stickers
E	Filling plates	M	Gas connection
F	Ventilation opening	N	Connection for extra seal pressure
G	Identification plate	O	Power cable
H	Suction opening	P	Wheel with brake

## 4.3 Installation

1. Unpack the machine.



### WARNING

- Only transport the machine upright. Do not tilt the machine.
- Take care no one gets trapped while transporting the machine.
- Apply the brake, when using the machine.

2. Level the machine on a flat firm surface.



### WARNING

- Never install the machine in front of entrances, exits or passages that are intended for emergency services.
- Make sure that the machine is free on all sides so that proper ventilation is ensured. Take care the ventilation and/or openings air output are free so that the pump cannot become overheated.

3. The vacuum pump must be filled with oil.

- Check the oil level of the machine.
- Fill the pump of the table model with oil (§ 8.4.3).



### WARNING

- Never start the machine if there is no oil in the pump.

4. Connect the machine electrically.



### WARNING

- Check if the voltage and the frequency stated on the identification plate on the rear of the machine (see fig. 1: D and E) agrees with the voltage and the frequency of the electricity supply.
- Check that the electric current is sufficient for this machine (see fig. 1: F).
- Check the direction of rotation of the vacuum pump on a 3-phase machine as follows:
  - Switch on the machine.
  - Switch off the machine immediately after the pump starts at the main switch
  - Check the rotation direction of the pump while it is runs down.  
An arrow on the motor indicates the correct direction of rotation.
  - Switch over the 2 wires in the power plug if the rotation direction is not correct.  
When in doubt, contact your dealer.



### DANGER

- Check that the electrical connection is properly earthed.
- Check that the connection cable is not trapped or damaged.  
Have the dealer or a qualified technician replaces a damaged connection cable immediately.

5. Open the cover by undoing the cover lock (by single chamber models).

**Note**

The cover opens automatically.

#### 4.4 Connecting the gas

Connect the gas to the gas connection at the rear of the machine (Fig. 4-2, Fig. 4-4, Fig. 4-6 or Fig. 4-8).

**WARNING**

- Use a suitable hose that fits the gas connection properly. Secure the hose with a hose clamp.
- Anchor the gas bottles firmly so that they cannot fall over.
- The pressure at the gas connection may not be over 1 bar.
- Do not use any inflammable, explosive, toxic and/or corrosive gasses. When in doubt, consult your dealer.
- Do not use gas mixtures that contain more than 21 % oxygen because of the risk of explosion.
- Make sure that the room is well ventilated: there must be a constant flow of fresh air for the operator.

#### 4.5 Connecting the seal-pressure

Connect the compressed air to the seal connection at the rear of the machine (Fig. 4-2, Fig. 4-4, Fig. 4-6 or Fig. 4-7).

**WARNING**

- Use a suitable hose that fits the gas connection well. Secure it with a hose clamp.
- Use only clean, dry compressed air. If no compressed air is available, the gas from the gas-option can also be used. This does increase the gas consumption.
- Never connect the compressed air to the gas connection.
- The pressure at the seal connection may not be over 1 bar. Use a suitable hose that fits the gas connection well and secure it with a hose clamp.
- Use only clean, dry compressed air. If no compressed air is available, the gas from the gas-option can also be used. This does increase the gas consumption.
- A connection for gas can also be fitted on the machine. Never connect the compressed air to this connection.
- The pressure at the seal connection may not be over 1 bar.



## 5. CONTROL PANEL “E-SERIES”

### 5.1 Control panel

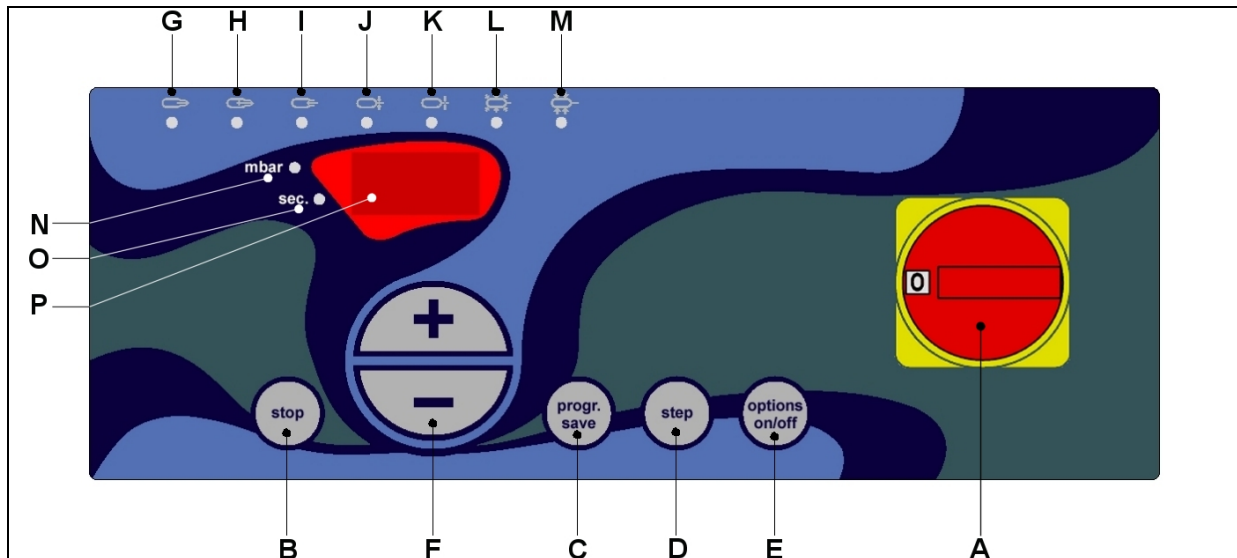


Fig. 5-1: Control panel E-series

Table 1: Control panel E-series

Nr.	Item	Function
A	Main switch	<ul style="list-style-type: none"> <li>To switch the machine on and off.</li> <li>Emergency stop.</li> </ul>
B	Stop-key	<ul style="list-style-type: none"> <li>“Resetting” of the oil counters by pressing the key for 5 seconds.</li> <li>Stopping the packing cycle. The control supplies the vacuum chamber with air.</li> <li>Stopping the programming (of a program or a special function) The changed values are not stored.</li> </ul>
C	Progr. save-key	<ul style="list-style-type: none"> <li>Programming the chosen program.</li> <li>Recall the factory setting by pushing in the key for 5 seconds.</li> <li>Storing the changed program values or special functions.</li> </ul>
D	Step-key	<ul style="list-style-type: none"> <li>Step by step showing of the values of the selected program.</li> <li>Continuing to the next step in the packing cycle.</li> <li>Recalling of the next program value or special function.</li> </ul>
E	Options on/off-key	<ul style="list-style-type: none"> <li>Shortcut key to switch the most important option of the selected program on or off.</li> <li>Programming the special functions by pressing the key for 5 seconds.</li> <li>Switching the selected option on or off during programming.</li> </ul>
F	Up- and down key	<ul style="list-style-type: none"> <li>Selecting a different program number or the warming-up position.</li> <li>Increasing or decreasing the program value or special function.</li> </ul>
G – M	Hidden symbols	<ul style="list-style-type: none"> <li>The symbols, the selected program is going to carry out are illuminated.</li> <li>The symbol of the operating function is illuminated during packing.</li> <li>The symbol of the value that is programmed is illuminated.</li> </ul>








Nr.	Item	Function
N – O	LED's	<ul style="list-style-type: none"> <li>The mbar-LED lights up when there is a sensor controlled operation. The sec.-LED lights up when there is a time-controlled operation.</li> <li>The display shows the program value or special function that is programmed. The display shows "off" when the particular option is turned off.</li> </ul>
P	Display	<ul style="list-style-type: none"> <li>The display shows the selected program number.</li> <li>During packing, the display shows the current value of the function that is being carried out.</li> <li>The display shows the program value or special function that is programmed. The display shows "off" when the particular option is turned off.</li> </ul>

### 5.1.1 Symbols

Each hidden symbol (Table 2) at the control panel represents a function or an option.

The meaning of each symbol is as follows:

Table 2: Hidden symbols

						
Vacuuming (Vac)	Vacuum plus (Vac+)	Gassing (gas)	Seal1	Seal2	Soft-air	Airing

### 5.1.2 Factory settings

The factory operating settings are shown in the following table.

By programming the operation these values can be changed. The factory settings can always be recalled. (§ 5.2.1).

The programmed values are then erased.

Table 3: Factory settings

Nr.	Sensor controlled						Time controlled				
	Vac	Vac+	Gas	Seal1	Seal2	Soft air	Vac	Gas	Seal1	Seal2	Soft air
	Mbar	sec	Mbar	sec	sec	sec	sec	sec	sec	sec	sec
1	10	5	"off"	2,0	"off"	"off"	30	"off"	2,0	"off"	"off"
2	10	"off"	"off"	2,0	"off"	"off"	30	"off"	2,0	"off"	"off"
3	10	"off"	200	2,0	"off"	"off"	30	5	2,0	"off"	"off"
4	10	"off"	"off"	2,0	2,5	"off"	30	"off"	2,0	2,5	"off"
5	10	"off"	"off"	2,0	"off"	400	30	"off"	2,0	"off"	5
6	10	"off"	200	2,0	2,5	"off"	30	5	2,0	2,5	"off"
7	10	"off"	200	2,0	"off"	400	30	5	2,0	"off"	5
8	10	"off"	"off"	2,0	2,5	400	30	"off"	2,0	2,5	5
9	10	"off"	200	2,0	2,5	400	30	5	2,0	2,5	5

## 5.2 Programming of the E-series control

The factory operating settings can be adapted to your own requirements very simply by programming the control. The factory operating settings are copied than.  
The factory settings can always be recalled again.



### Note

When different products are packed regularly, it is useful to program a separate program for each product. For instance program 1 can be used for packing meat, program 2 for packing sauce, program 3 for packing vegetables, and so on.  
In order to pack a product one only needs to select the correct program.

You can program at two different ways, namely:

- With open cover.  
This is the most usual way to adapt a program.
- With a closed cover.  
This method of programming is especially useful if liquid products have to be packed (§ 7.2).

### 5.2.1 Programming with an open cover

1. Switch the machine on at the main switch. The control starts up.



### Notes

- After the control has started the last used program is loaded.
  - When the lid is closed during the start-up procedure, the vacuum chamber will be vented first until the cover opens.
2. Select the program number, which should be reprogrammed, with the up- and down keys.
  3. Push the progr-save-key.
    - The vac-symbol lights up.
    - The vacuum level flashes on the display.



### Note

By pressing the progr-safe-key for 5 seconds, the factory settings are recalled, and the settings that were programmed are erased. The control then starts again.

4. Change the value with the up- and down key.
5. Press the step key to set the next value.  
All functions can be set step-by-step, during which the appropriate symbol lights and the value is indicated in the display.
6. Press the options on/off key to switch an installed option on or off.  
When the option is turned off, the display shows "off". When the option is switched on, the value can be changed with the up- and down key.
7. Press the progr-save-key to save the changes.  
The control returns to stand-by.

**Notes**

- The control returns to the stand-by position without the changes being saved, by pressing the stop key.
- The vacuum- value cannot be set to more than 200 mbar on a machine without the less-vacuum option.
- The vacuum- and gas value cannot be set to more than 500 mbar at the machines, type E-103, E-153, E-163 and E-173 without extra seal pressure option.
- The vacuum and gas value cannot be set to more than 800 mbar on any machine.
- The gas value cannot be set below the vacuum level.
- The soft-air value cannot be set to more than 999 mbar.
- The soft-air value cannot be set below the gas value or the vacuum level.

### 5.2.2 Programming with a closed cover

At this programming way, the machine carries out a packing cycle.

Through the transparent cover is clearly to see when the product starts cooking. By pushing the step-key the machine stops vacuuming and starts executing the next step in the packing cycle. The reached value of vacuum is remembered by the operation. (§ 7.2).

See steps 1 to 3 of §5.2.1.

**Notes**

- Take care the vac+-option is switched off.

1. Press the progr-save-key.  
The symbol of the vacuum level starts to illuminate.
2. Close the cover.

**WARNING**

**ALWAYS USE TWO HANDS TO SHUT THE COVER.**

3. The pump starts vacuuming the chamber. The vac-symbol is illuminating.
4. The display shows the actual value.
5. Push the step-key as the required value is reached.  
The next step in the packing cycle is executed. The value is remembered.  
At this way also the gas- and soft-air-values can be programmed.
6. As the last step the chamber is aired and the cover opens. The values are stored and the operation returns to stand-by.

**Notes**

- The seal1 and seal2-value cannot be programmed at this way. The value(s) as those in the memory are executed.
- The gas- and soft-air-value only can be programmed if these options are switched on.
- By pushing the stop-key the programming is stopped, without storing the modifications.
- If the step-key is not pushed and the maximum is reached, the operation starts the next function.
- If the step-key is not a single time pressed during the cycle, the program values are not changed after the cycle is finished.

### 5.2.3 Special functions

The control has a number of special functions. Moreover information can be read, through what the dealer can support you better at possible problems.

1. Switches on the machine with the main switch (Fig. 5-1-A). The control starts up.
2. Push the options on/off-key 5 seconds. At the display the first function with its setting appears (Table 4).
3. Adjust the setting with the + and – keys (up and down keys).
4. Push the step-key to adjust the following special function.  
In this way all special functions can be adjusted step by step. Next to it the belonging information can be read. In the table below all steps are showed.



#### Notes

- The adjustments are in force for all programs.
- By step 6 the + and – keys have no function (Table 4).
- The multi-cycle adjustment only can be adjusted as this function is built in.
- At a multi-cycle a number of vacuum- and gas-actions are executed after each other before the bag is sealed. A multi-cycle starts always with the vac-action. This means that the vac-action is the last if an odd figure is imported. At an even number the gas-action is the last action. If the value 0, 1 or 2 is adjusted, the function is switched off, or has no influence on operating the machine.

5. Push the progr. save-key to store the modifications.



#### Note

By pushing the stop-key the programming of the special functions is left, without storing the modifications.

Table 4: Special functions

Step	Adjustment	Display	Meaning of the dashes	Setting of the manufacturer	
1	Start position oil-cycle-counter	C##	Start position in hundreds of cycles.	2000 cycles	E-103, E-153, E-163, E-173, E-150
				9000 cycles	E-193, E-253, E-203, E-303, E-403, E-453, E-493, E-503 E-200, E-300, E-350
2	Start position oil-hours counter	h##	Start position in tenth of operation hours	450 hours	E-103, E-153, E-163, E-173, E-150
				900 hours	E-193, E-253, E-203, E-303, E-403, E-453, E-493, E-503 E-200, E-300, E-350
3	Sensor- or time control	SF#	0: the control works time-controlled. 1: the operation works sensor operated.	1	
4	Multi-cycle actions	rC#	The number of multi-cycle actions.	0 (off)	

<b>Step</b>	<b>Information</b>	<b>Display</b>	<b>Meaning of the hashes</b>
5	Software version	U##	The version number. (After pressing '+' or '-' key, the release number is indicated.)
6	Dipswitch adjustment	d##	A code representing the dipswitch setting (the electronic adjustment of the machine).
7	Serial number of the operation	n #	The dash reproduces the first digit of the serial number. The complete number is readable step by step by pushing the up-key. Alternatively a little point is put on and off.

## 6. CONTROL PANEL “BASIC”

### 6.1 Control panel

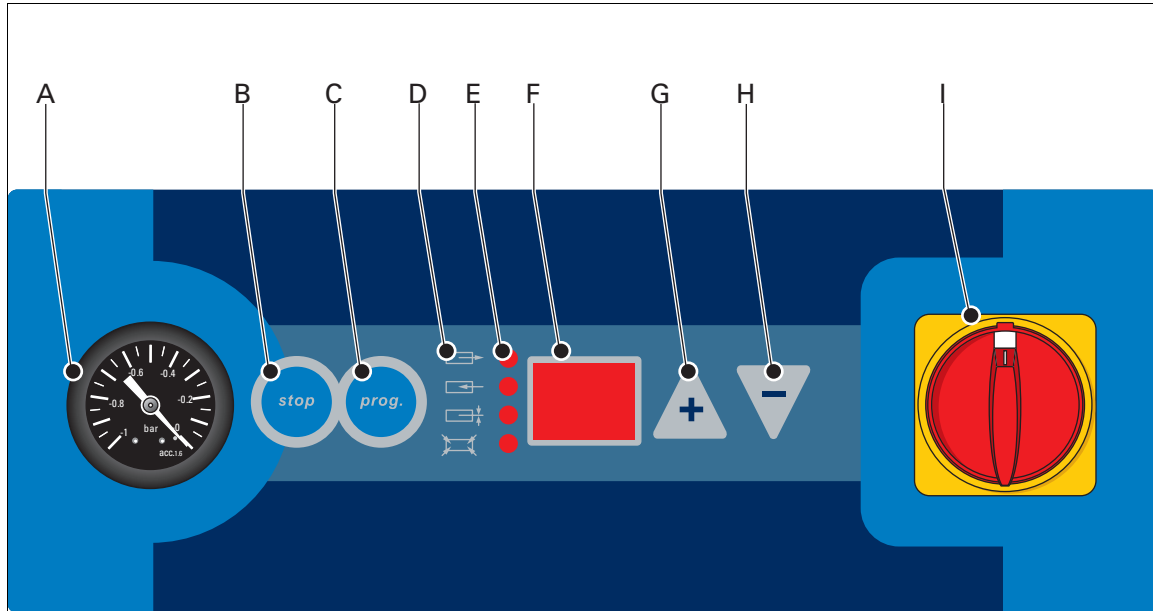


Fig. 6-1: Control panel BASIC




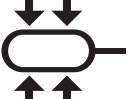
Table 5: Control panel BASIC

Nr.	Description	Function
A	Vacuum gauge	<ul style="list-style-type: none"> <li>For indicating the reached vacuum.</li> </ul>
B	Stop-key	<ul style="list-style-type: none"> <li>Stopping of the current action. The control starts the following action.</li> <li>Stopping the programming (of a program or a special function) The changed values are not stored.</li> </ul>
C	Progr. save-key	<ul style="list-style-type: none"> <li>Programming the chosen program.</li> <li>Storing the changed program values or special functions.</li> </ul>
D	Symbols	<ul style="list-style-type: none"> <li>The symbols that will carry out the chosen program.</li> <li>During packing the LED of the operative function will light up.</li> </ul>
E	LED's	<ul style="list-style-type: none"> <li>The LED of the operating function is illuminated during packing or programming.</li> </ul>
F	Display	<ul style="list-style-type: none"> <li>The display will show the chosen program number.</li> <li>During packing the display shows the actual values of the function that is being executed.</li> <li>The display shows the program value or special function that will be programmed. The display shows “off” if the option concerned is off.</li> </ul>
G – H	Up- and down key	<ul style="list-style-type: none"> <li>Choosing an other program number.</li> <li>Increasing or decreasing of the program value or special function.</li> </ul>
I	Main switch	<ul style="list-style-type: none"> <li>Switching on and of off the machine.</li> <li>Emergency stop.</li> </ul>

### 6.1.1 Symbols

Each symbol (Table 2) at the control panel represents a function or an option. The meaning of each symbol is as follows:

Table 6: Symbols

			
Vacuuming	Gassing	Seal1 Seal2	Soft Air Airing

### 6.1.2 Factory settings

The factory operating settings are shown in the following table (Table 7). By programming the operation these values can be changed.

Table 7: Factory settings

Nr.	Time controlled				
	Vac	Gas	Seal1	Seal2	Soft air
	sec	Sec	sec	sec	sec
1	30	"off"	2,0	"off"	"off"
2	30	"off"	2,0	"off"	5
3	30	5	2,0	"off"	"off"
4	30	5	2,0	"off"	5
5	30	"off"	2,0	"off"	"off"
6	30	"off"	2,0	"off"	"off"
7	30	"off"	2,0	"off"	"off"
8	30	"off"	2,0	"off"	"off"
9	30	"off"	2,0	"off"	"off"



## 6.2 Programming of the BASIC-control

The factory operating settings can be adapted to your own requirements very simply by programming the control. The factory operating settings are copied than.  
Your dealer can always recall the factory settings again.



### Note

When different products are packed regularly, it is useful to program a separate program for each product. For instance program 1 can be used for packing meat, program 2 for packing sauce, program 3 for packing vegetables, and so on.  
In order to pack a product one only need to select the correct program.

You can only program with an open cover.

### 6.2.1 Programming with an open cover

1. Switch the machine on at the main switch. The control starts up.



### Notes

- After the control has started, the last used program is loaded.
  - When the lid is closed during the start-up procedure, the vacuum chamber will be vented first until the cover opens.
  -
2. Select the program number, which should be reprogrammed, with the up- and down keys.
  3. Push the prog-key for 5 seconds.
    - The vac-symbol lights up.
    - In the display you will see the vacuum time.
  4. Adjust the value with the up- and down keys.
  5. Press the prog-key to store the changes and to adjust the next value.  
All functions can be set step-by-step, during which the appropriate symbol lights and the value is indicated on the display.
  6. Press the prog.-key to store the latest changes. The control returns to stand-by.



### Notes:

- The control returns to the stand-by position without the changes being saved, by pressing the stop key.

## 7. PACKING

With this machine products of various natures can be packed. In general, they can be divided into:

- Dry products
- Moist or fluid products.



### WARNING

**CHECK THE TRANSPARENT COVER AT DAMAGES OR CRACKS, BEFORE STARTING PACKAGING.  
REPLACE A DAMAGED COVER IMMEDIATELY.**

### 7.1 Dry products

1. Switches on the machine at the main switch (Fig. 5-1-A). The control starts up. You can now see at a glance how the product is being packed:  
The display indicates the program number.
  - The symbols of the functions that the program is carrying out during packing are illuminated.
  - The “mbar LED” lights for sensor-controlled operation and the “sec LED” lights for time-controlled operation.



### Notes

- During the start, 3 points on the display lights up.
- After the operation is started the last used program is loaded.
- When the cover is closed the vacuum chamber is vented until the cover opens. During venting, the venting symbol lights and horizontal beams on the display flashes.

2. Select the required program number with the up- and down keys (Fig. 5-1-F).



### Note

It is also possible to select the warming-up position with the up- and down keys. The symbol lights now one by one (§ 8.4.1).

3. Put the product in a vacuum bag. (Fig. 7-1).



### Notes

- The bag should not be filled for more than three-quarters.
- Keep the closing side of the bag properly clean.

4. Remove or position one or more inlay plates to adjust the height of the product correctly. (Fig. 7-1-A).
5. Put the vacuum bag (Fig. 7-1-B) with the product in it in the vacuum chamber.

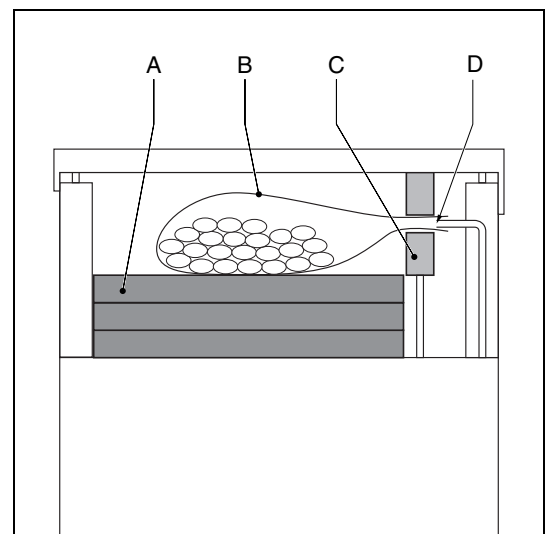


Fig. 7-1: Packing

**Notes**

- Position the opening of the bag, without folds, on the seal beam (Fig. 7-1-C). Make sure that the opening of the bag does not stick out the vacuum chamber.
- With a machine with gas-option, the opening of the bag must be pushed properly over the gas outlets (Fig. 7-1-D).
- Be hygienic: avoid immediate contact between the machine and the products.

6. Close the cover.

The vac-symbol lit. The pump starts to vacuum the chamber.

**Note**

At the types E-193, E-253, E-203, E-303, E-403, E-453, E-493, E-503, E-200, E-300 and the E-350:

If the vacuum pump is not running, the pump starts automatically by closing the cover.

**WARNING**

- **Always use both hands to close the cover.**
- **The machine starts to vacuum when the lid is almost closed.**  
**If this is not the case have the dealer or qualified service technician repair this. Stop working.**

The machine finishes the chosen program, during which the appropriate symbol is lit step-by-step, and the current value is indicated on the display.

As final step the chamber is vented, after which the lid opens automatically.

**Notes**

- By pressing the step key, the next step in the cycle is carried out.
- By pressing the stop key the packing cycle is stopped and the chamber is vented. Venting only stops when the cover is opened.
- At the types (E-)103, (E-)153, (E-)163, (E-)173, and (E-)150 the pump stops if the cover opens.
- At the other types with E-control the pump stops automatically if the machine is not used for 15 minutes (sleeper function).
- Close the gas bottles when they are not in use.
- Do not get frightened by a warm seal beam.  
The seal beam can get warm, especially when used intensely.  
Use gloves when necessary. Shorten the sealing time as much as possible.

**WARNING**

- **Always use both hands to close the cover.**
- **Close the gas supply if gas keeps coming out after the cover is opened.**  
**Consult the dealer.**

7. Remove the packed product from the machine.  
The next product can be packed.

## 7.2 Moist and fluid products

Packing moist and fluid products such as sauces is done in the same way as packing dry products. The vacuum however should remain limited so that the water in the product does not start boiling. The boiling point is reached sooner when the pressure is low (Table 8).

Boiling of the product should be avoided as much as possible because:

- The product dries out when the machine does not stop vacuuming.
- The storage life of the products does not increase any further: the fluid has driven out the oxygen in the chamber.
- The inside of the pump can start rusting: the pump pumps moist air.
- The chamber gets dirty: the water in the product can start splashing.



### Notes

- The right values can be programmed most easily with "Program with closed cover".
- When packing moist and fluid products the oil in the pump must be replaced more often (§ 8.4.4), and the pump must be warmed-up more often (§ 8.4.1)
- When the message "to U" is displayed while packing the products, the pressure has not changed for 3 seconds. This usually indicates that a lot of fluid is evaporating from the product. By increasing the vacuum level a little, the message will not appear again.
- By switching on the vac-plus option one can, if desired, vacuum longer.

Table 8: Boiling point of water at various pressures

<b>Vacuum pressure [mbar]</b>	1000	800	600	400	200	100	50	20	10	5	2
<b>Vacuum-percentage [%]</b>	00	20	40	60	80	90	95	98	99	-	-
<b>Boiling temperature [°C]</b>	100	94	86	76	60	45	33	18	7	-2	-13

## 8. MAINTENANCE

Regular maintenance prevents malfunctions and prolongs the life of the machine. This can also achieve an optimal level of hygiene.



### Attention

**Observe the given maintenance intervals. Overdue maintenance can lead to high costs for repairs and servicing and it can cause invalidate the guarantee.**



### Notes

- Ensure that there is adequate illumination.
- Ensure that the vacuum chamber is vented (the cover is open).
- Do not carry out service, maintenance or repair work to the machine when it states that the dealer or a qualified service technician should carry this out.
- Always have a recognised Henkovac dealer carry out repair and maintenance work.



### WARNING

**ALWAYS SWITCH OFF THE MACHINE AT THE MAIN SWITCH, AND/OR REMOVE THE POWER PLUG FROM THE SOCKET DURING MAINTENANCE WORK. LOCK THE MAIN SWITCH WITH A PADLOCK.**

### 8.1 Cleaning

Clean the machine regularly and thoroughly; preferably every day.



### Attention

- **Do not clean the machine with a high-pressure cleaner. Water jets may penetrate and damage the electronics. Use a moist cloth to clean the machine.**
- **Treat the cover rubber with talcum powder if it sticks to the vacuum chamber. Never clean the transparent cover with a synthetic cleaner. This may weaken the cover.**
- **Use small amounts of water.**
- **Do not spill any water into the vacuum chamber suction opening (see fig. 4-1, 4-3, 4-5 or 4-7).**
- **Do not spill any water into the vacuum pump outlet opening (see fig. 4-4, 4-6 or 4-8).**

### 8.2 Cover rubber

The cover rubber must not show any signs of damage because then the vacuum chamber will not close properly and it will leak, having an adverse effect on the quality of the packing.

Check the cover rubber monthly for damage, and replace it if necessary.

#### 8.2.1 Machines with a transparent or aluminium cover

Replacement is as follows:

1. Take the size of the old rubber
2. Pull the old rubber out off the groove
3. Clean the groove.
4. Push the new rubber evenly in the groove. Put the rubber ends tightly against each other.  
If the rubber ends are not tightly against each other there is a leak, by which the chamber is not vacuuming very well.

### 8.2.2 Machines with a stainless cover

Replacement is as follows:

1. Pull the old rubber off the cover lip.
2. Clean the cover to which the rubber was attached.
3. Press the new rubber evenly over the cover lip.

### 8.3 Power cable

Check the power cable regularly for damage.

Have the dealer or qualified technician replace a damaged power cable immediately.



#### WARNING

**TAKE THE POWER PLUG OUT OF THE WALL SOCKET WHEN CHECKING THE POWER CABLE.**

### 8.4 The vacuum pump

To protect the vacuum pump, good maintenance is important. Carry out the following work carefully:

1. Check, and clean when necessary, the ventilation openings in the machine before you start working with the machine, so that proper cooling of the pump is ensured.
2. Have the dealer replace the oil filter one time per 1,5 year, or have it replaced when the pump forms a mist of oil.
3. Regularly warm up the pump:
  - Daily, when moist products are packed;
  - Weekly, when dry products are packed.



#### Note

Preferably warm up the pump after packing.

4. Check the oil level every day. Fill with oil when the oil level is too low (§ 8.4.3).
5. Replenish the oil every six months, or after the “oil” message appears on the display, see under “Changing the oil”. The “oil” message is displayed while the machine is starting up. Pressing the stop key for 5 seconds can reset this message, after the oil has been changed.

#### 8.4.1 Warming up the pump (E-series)

1. Switch on the machine using the main switch.
2. Select the warm-up position by pressing the down key until below program 1. The indication on the display disappears and the symbols start lighting one-by-one like a running light. The machine is now in the warm-up position.
3. The display shows the remaining warm-up time in minutes.
4. When the warm-up time has passed, the machine stops automatically. The packing can continue. For this the correct program must be selected.

#### 8.4.2 Warming up the pump (BASIC-series)

1. Start the machine and be sure that it is standby.
2. Press STOP and PROG simultaneously for 2 or 3 seconds.
3. The display shows a ‘spinning’ zero.
4. Close the lid.
5. The machine starts to run and the display shows the number of cycles to go. After the last cycle the machine evacuates totally, the lid opens and returns to the last selected program.



#### Note

When the stop key is pressed, the warm-up stops.

**8.4.3 Filling with oil**

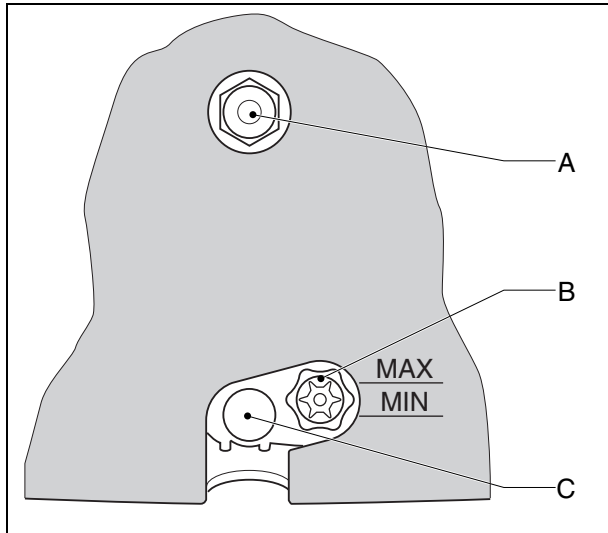


Fig. 8-1: Filling with oil

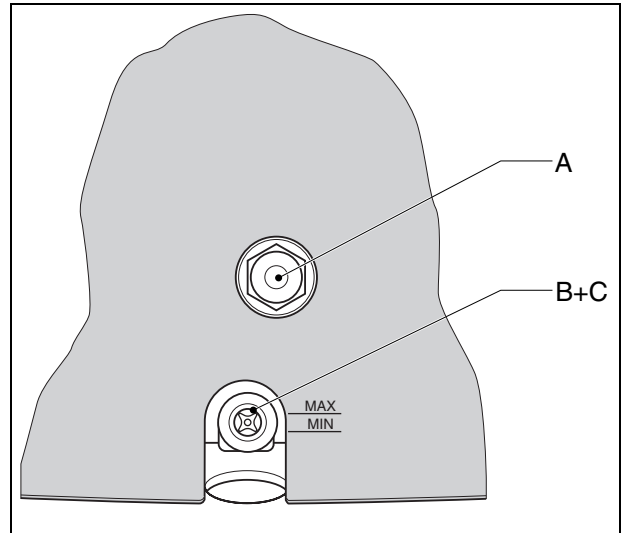


Fig. 8-2: Filling with oil

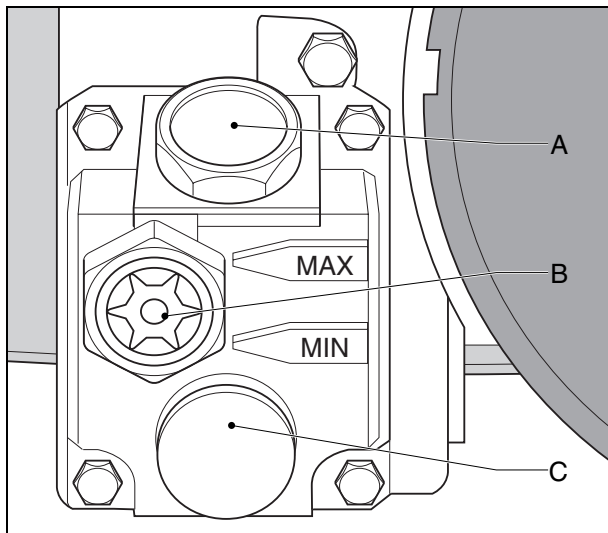


Fig. 8-3: Filling with oil

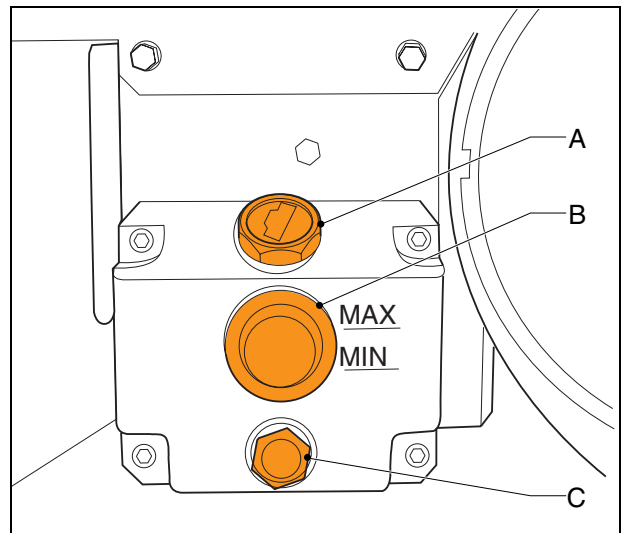


Fig. 8-4: Filling with oil

See Fig. 8-1, Fig. 8-2, Fig. 8-3 of Fig. 8-4:

- A. Oil filler plug
- B. Oil gauge
- C. Oil drain plug



**WARNING**

**MAKE SURE THAT THE VACUUM CHAMBER IS VENTED (THE COVER IS OPEN) AND THAT THE MACHINE IS TURNED OFF BEFORE CHANGING THE OIL.**

Changing or filling the oil should be done as follows (Fig. 8-1, Fig. 8-2, Fig. 8-3 or Fig. 8-4):

1. (Only for double-chamber models): Remove the side panel from the machine.
2. Remove the oil filler plug.
3. Pour oil into the pump up to the maximum level mark.  
Use oil in accordance to DIN 51506, lubricating oil group VC, see under: 'Technical specifications'.  
When in doubt, consult your dealer.
4. Close the oil filler opening with the oil filler cap.
5. Check the oil level after a few packing cycles and top up if necessary.
6. (Only for double-chamber models): Fit the side panel to the machine.

#### 8.4.4 Changing the oil

Changing the oil should be done as follows (Fig. 8-1, Fig. 8-2, Fig. 8-3 or Fig. 8-4):

1. Warm up the pump.
2. Vent the vacuum chamber (the lid is open).
3. Switch off the machine and remove the power cable from the socket.



#### WARNING

**THE OPERATING TEMPERATURE OF THE PUMP IS 70°C OR MORE.  
USE GLOVES WHEN WORKING ON THE PUMP, OR LET THE PUMP COOL DOWN  
SUFFICIENTLY IF IT IS TOO WARM.**

4. Drain off the oil by removing the drain plug.



#### Note

Catch the oil to have it processed according to the locally applicable regulations.

5. Refit the drain plug when no more oil comes out of the pump.
6. Let the pump run for a maximum of 2 seconds.
7. Now drain the oil again.
8. Remove the oil filler plug.
9. Fill the pump with the right oil (§ 8.4.3).
10. Refit the oil filler plug.
11. Reset the "Oil"-message in the display.  
Press the stop key for 5 sec. The machine restarts again.



#### Notes

- When packing moist products the initial positions for the oil change indicator have to be reduced by half. For the standard settings (Table 3).
- If the oil is heavily contaminated and/or contains too much moist, it is necessary to reduce the initial positions of the oil change indicator (§ 5.2.3).

## 8.5 Oil dampers and springs

The machines with a transparent cover are supplied with gas springs to open the cover after the vacuum chamber has been vented.

The machines with the metal cover are supplied with oil dampers and springs to open the cover, after the vacuum chamber has been vented.

- Have the gas springs or the springs and oil dampers check every 5 years by the dealer. Let replace them when necessary.
- Renew the gas springs if the cover will not open properly.



- Have the spring tension adjusted or replaced and/or have the oil dampers replaced when the cover no longer opens properly.

## 8.6 Seal beams and counter beams

The seal beams and counter beams must be in good condition for good sealing of the packing.

- Clean the seal and counter beams every day with a dry cloth.
- Check the condition of the teflon tape and the sealing wires every day.  
Replace the tape if it is damaged.  
Replace the sealing wire if there are any kinks in it (§ 8.6.1 or § 8.6.3).
- Check the condition of the silicon rubber in the counter beam every day.  
Replace the rubber if it is burnt in (§ 8.6.7)

Dependable of the type of the machine there are two versions of the seal beam:

- Machines with a single seal beam
- Machines with a stainless steel seal beam.
- Machines with an aluminium seal beam.

### 8.6.1 Replacing seal wire and teflon tape (single seal beam)

Removing old wires: (Fig. 8-5):

1. Pull the seal beam up, from the pins by hand.
2. Remove the teflon lining (A) that is stuck to the beam (Fig. 8-5).
3. Remove the screws (F) at both end of the seal beam.  
This loosens the sealing wires (B)
4. Clean the seal beam thoroughly.



#### Notes

- Check the condition of the tightening springs (D) at the ends of the seal beam.  
Replace them if necessary.
- Using the seal beam without the spring (D) could lead to breaking the seal wires.

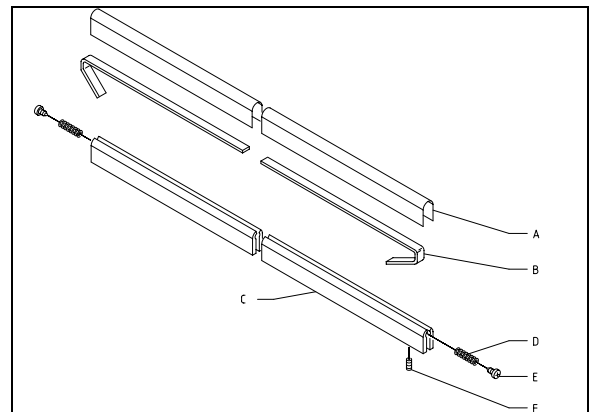


Fig. 8-5: Replace wire

### 8.6.2 Replacing the seal wire(s) and the teflon tape (stainless seal beam)

Removing old wires: (Fig. 8-6):

1. Pull the seal beam up, from the pins by hand.
2. Remove the teflon lining that is stuck to the beam (Fig. 8-10).
3. Remove the mounting plates (C) at both the ends of the seal beam by unscrewing the screws. This loosens the sealing wires (B) and/or the sealing and the cutting wire.
4. Clean the seal beam thoroughly.



#### Notes

- Check the strips of hard glass fibre (A) for damage after removing the wires. Replace them if they are damaged.
- Check the condition of the tightening springs (D) at the ends of the seal beam. Replace them if necessary.
- Using the seal beam without the spring (D) could lead to breaking the seal wires.
- Check the mounting plate (E) for damage. Replace is necessary.

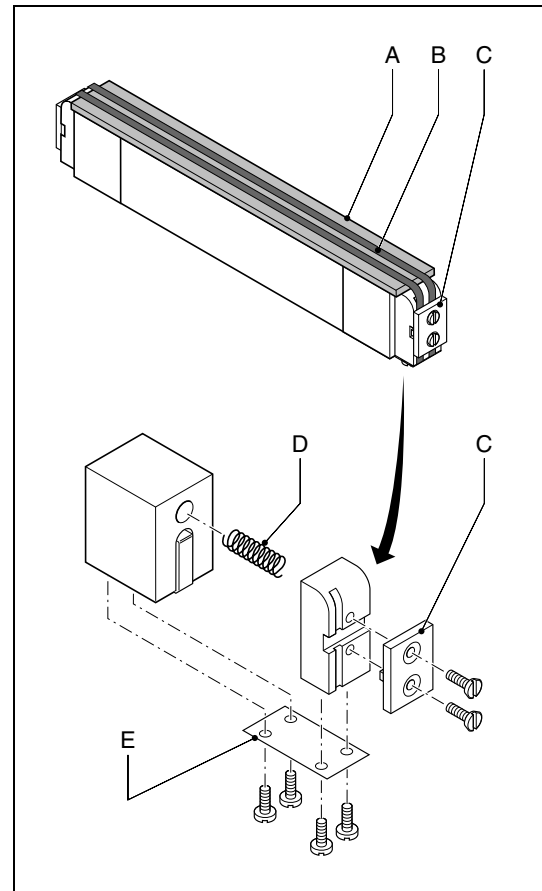


Fig. 8-6: Replace wires (Machines with a transparent cover)

### 8.6.3 Replacing the seal wire(s) and the teflon tape (aluminium seal beam)

Removing old wires (Fig. 8-7):

1. Pull the connector wires free from the seal beam contacts.
2. Loosen the clamp screw and take the seal beam out of the U-profile.
3. Remove the teflon lining that is stuck to the beam.
4. Remove the mounting plates (C) at both the ends of the seal beam by unscrewing the screws. This loosens the sealing wires (B) and/or the sealing and the cutting wire.
5. Clean the seal beam thoroughly.



**Notes**

- Check the strips of hard glass fibre (A) for damage after removing the wires. Replace them if they are damaged.
- Check the condition of the tightening springs (D) at the ends of the seal beam. Replace them if necessary.
- Using the seal beam without the spring (D) could lead to breaking the seal wires.
- Check the mounting plate (E) for damage. Replace is necessary.

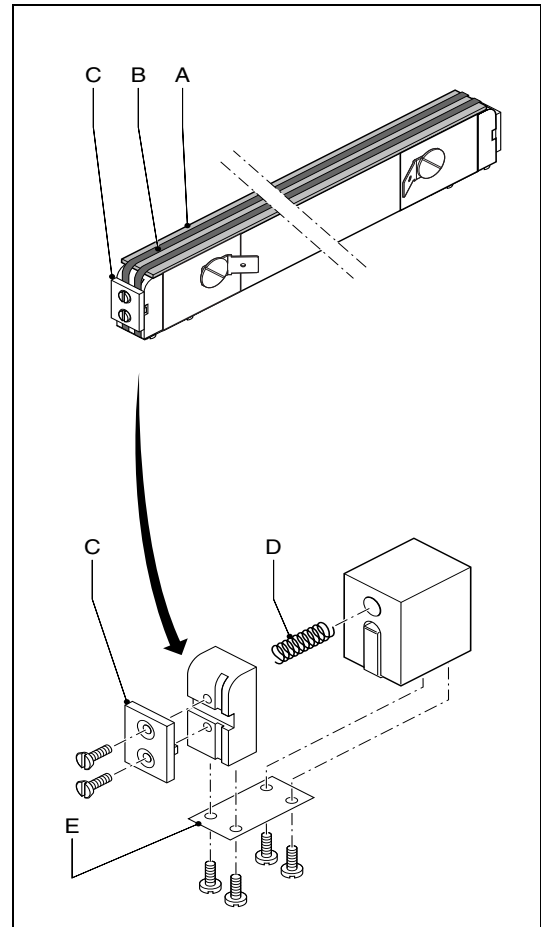


Fig. 8-7: Replace wires (machines with a metal cover)

### 8.6.4 Fitting new wires on the seal beam:

Fitting new sealing wires (Fig. 8-8):

1. Fit new hard glass fibre strips to the seal beam (Fig. 8-10) if necessary.
2. Position the new wires (B) behind one of the mounting plates (C) and ensure that the ends of the wires are level with the bottom side of the mounting plate. Now tighten the screws (D).
3. Position the wires over the seal beam at the other side and loosely mount the second mounting plate.
4. Now carefully clamp the seal beam upside down in a bench vice.
5. Tighten the wires as tightly as possible with a pair of pliers (A) and secure the mounting plate by tightening the screws (D).



**Note**

- Loosening the screws a little so that the wires stay tight around the seal beam. Now the wires can be pulled tighter, one-by-one, with the pliers.
6. Tighten all screws firmly.
  7. Cut the ends of the wires level with the bottom side of the mounting plate.

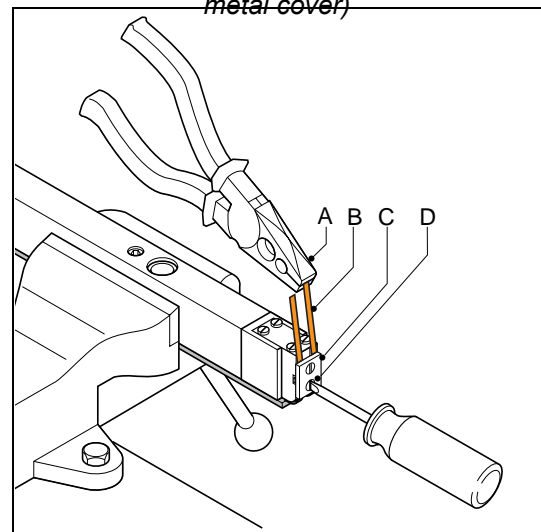


Fig. 8-8: Fitting wires

### 8.6.5 Replacing seal wires on the T-seal beam:

Removing old wires: (Fig. 8-6):

1. Pull the seal beam up, from the pins by hand.
2. Remove the teflon lining that is stuck to the beam (Fig. 8-10).
3. Unscrew the screws (D) at both ends of the seal beam.  
This loosens the sealing wires (B) and/or the sealing and the cutting wire.
4. Clean the seal beam thoroughly.
5. Fit new glass fibre strips (A) to the seal beam (Fig. 8-10) if necessary.
6. Position the new wires (B) at one end of the seal beam, place plates (C) and tighten the screws (D).
7. Position the wires over the seal beam at the other side and loosely mount the second mounting plate.
8. Now carefully clamp the seal beam upside down in a bench vice.
9. Tighten the wires as tightly as possible with the "Wire Tension Tool" (E) and secure the mounting plate (C) by tightening the screws (D)



#### Notes

- Check the strips of glass fibre (A) for damage after removing the wires.  
Replace them if they are damaged.  
Check the condition of the tightening springs at the ends of the seal beam. Replace them if necessary.
- Using the seal beam without the spring could lead to breaking the seal wires.

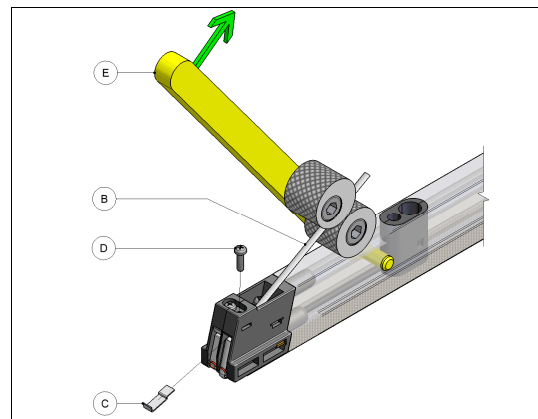
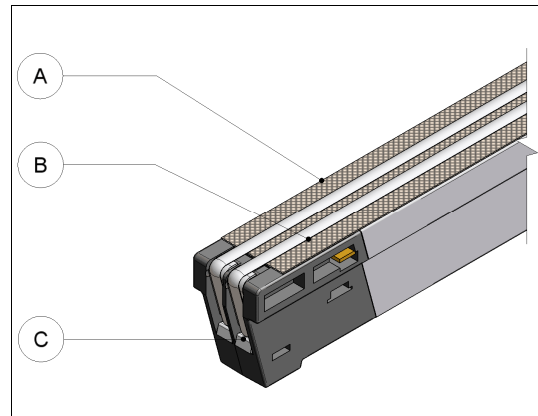


Fig. 8-9: Replace seal wires

### 8.6.6 Teflon lining to the seal beam

Fitting a new teflon lining to the seal beam as follows (Fig. 8-10):

1. Put new teflon lining (A) on the seal beam.
2. Cut the corners (C) off the teflon lining.
3. Remove the protective layer from the teflon lining.
4. Stick the new lining onto the seal beam (B).  
The teflon lining has an adhesive strip on either side for this purpose.



#### Note

- The teflon lining should not stick to the tightening blocks (E).
5. Slide the seal beam on the pins in the vacuum chamber (only machines with transparent cover)
  6. Slide the seal beam into the holder and securely

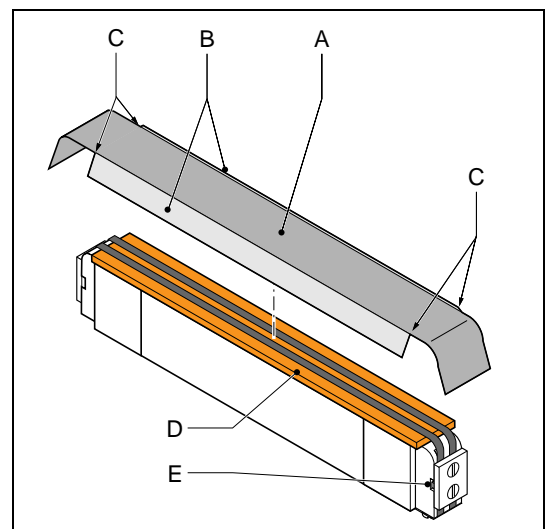


Fig. 8-10: Fitting a new teflon lining

tighten the clamp screws.

7. Reconnect the wiring to the seal beam (only machines with a metal cover).

### **8.6.7 Replacing the counter beam silicon rubber**

The rubber is clamped in the counter beam.

Replacement of the rubber is done as follows:

1. Pull the rubber out of the counter beam.
2. Clean the groove.
3. Push a new rubber evenly into the groove. Make sure that it does not stick out at the ends of the counter beam.

## **8.7 Vacuum hoses and pipes**

Check the condition of the vacuum hoses and pipes for kinks, tears and porosity. Replace them if necessary.

## 9. FAULTS AND MESSAGES

If the machine indicates a fault, use the following table to check whether you can solve the problem.



### Note

Only the control panel of the E-series can display messages (Table 10).



### WARNING

- Make sure there is sufficient illumination.
- Make sure that the vacuum chamber is vented (the cover is open).
- Do not carry out service, maintenance or repair work on the machine when it is indicated that the dealer should carry this out.
- Always have a recognised Henkovac dealer carry out the repair and maintenance work.



### WARNING

- Always switch off the machine at the main switch and/or remove the power plug from the socket during maintenance work.
- Lock the main switch with a padlock.

Table 9: Faults

<b>Faults</b>	<b>Cause</b>	<b>Remedy</b>
Machine is not working.	The plug is not in the socket.	Put the plug into the socket.
	(Earth leaking) protection in the electric cabinet has tripped.	Check the electric cabinet.
	A fuse(s) in the electric cabinet is defective.	Check the electric cabinet.
	A fuse(s) in the machine is defective.	Consult your dealer.
	The motor protection of the machine is switched off.	Consult your dealer.
The vacuum pump does not come up to speed.	The oil is too thick or contaminated.	Replace the oil with new oil, see under "Changing oil".
	The pump runs on two phases.	Check the power supply. Consult your dealer if the power supply is good.
The vacuum in the packing is insufficient.	The level set for vacuuming is too high.	Decrease the vacuum level.
	Bad quality packing was used.	Select a better quality.
	The product damages the bag.	Take a new bag and set a higher value for soft-air.
	The machine gasses up.	Switch off the gas function.
	There is insufficient room between the seal beam and the counter beam.	Check the position of the seal beam.
The sealing is leaking.	The sealing is badly melted.	Increase the sealing time and/or decrease the gas value.
	The sealing is burnt.	Decrease the sealing time.
	The opening of the vacuum bag is contaminated.	Clean the bag, or take a new clean bag and make sure that the opening stays clean.
	The seal beam is dirty.	Clean the seal beam.
	The teflon lining of the seal beam is damaged.	Replace the teflon lining.
	The silicon rubber in the counter beam is damaged.	Replace the silicon rubber.
There is not enough gas in the bag.	The bag is too small.	Take a bigger bag.
	The gas level is set too low.	Increase the gas level.
	The bag is not placed over the gas outlets.	Place the bag properly over the gas outlets.
The machine does not seal.	The bag is not put on the seal beam properly.	Put the opening of the vacuum bag properly on the seal beam.
	The seal wire is broken.	Replace the sealing wire.
	The sealing transformers are switched off by the thermal protection.	Work slower with the machine, or shorten the sealing time. Wait until the protection switches on again (this can take half an hour).  If possible, have the dealer install extra sealing power, when working slower or with shorter sealing times is not possible.
	The sealing transformers are switched off by the short circuit protection.	There is a short circuit in the sealing system. Have the dealer repair the short circuit and replace the transformer.

Table 10: Messages (E-series only)

Message	Cause	Remedy
"Oil" message appears at start-up.	The oil counters have reached the set maximum.	Replace the oil and then "reset" the oil counters.
"toU" message appears during vacuuming. (the machine does not reach the set vacuum pressure).	The moisture in the product evaporates.	Increase the vacuum value so that the fluid do not start to boil.
	The vacuum chamber is leaking.	Check the cover rubber. Replace it if necessary. Consult your dealer if the machine keeps leaking.
	There is not enough oil in the pump.	Fill up with (the correct) oil.
	The oil in the pump is contaminated.	Change the oil.
	The pump oil filter is blocked.	Have the dealer replace the oil filter.
The "toG" message appears during gassing.	The gas bottle is still closed.	Open the gas bottle tap.
	The gas supply is blocked.	Check if there is no kink in the hose. Check the gas bottle pressure regulator.
	The gas system in the machine is broken or blocked.	Consult your dealer.
During soft-air the message "toS" appears.	The soft air system in the machine is broken or blocked.	Consult your dealer.
Message "E01"	Control output is overloaded.	Switch off the machine. Consult your dealer.
Message "E02"	The lid has opened before the packing cycle is finished. Too much gas entered the vacuum chamber.	Close the gas tap if the gas keeps flowing. Consult your dealer. Reduce the gas pressure or consult your dealer.
Message "E03"	The sensor is broken or the connection between the sensor and the vacuum chamber is blocked.	Switch the machine to time control to be able to continue working (§ 5.2.3). Consult your dealer.
Message "E04"	The sensor is broken.	Switch the machine to time control to be able to continue working (§ 5.2.3). Consult your dealer.



## 10. TECHNICAL DATA

### 10.1 Machines in the stainless series

#### 10.1.1 Machines with a transparent cover E-series (Table top and Mobile)

Type	(E-)103	(E-)153	(E-)163	(E-)173	(E-)193	(E-)253
------	---------	---------	---------	---------	---------	---------

<b>Size and weight</b>						
Height [mm]	475	480	425	1000	1000	1030
Width [mm]	465	535	975	555	660	770
Depth [mm]	560	580	520	580	680	730
Weight [kg]	64	75	100	91	133	184

<b>Size and weight of the packed machine</b>						
Height [mm]	670	670	630	1250	1280	1250
Width [mm]	670	710	1155	715	880	960
Depth [mm]	660	660	685	740	870	955
Weight [kg]	73	89	130	121	175	224

<b>Size of the vacuum chamber</b>						
Height [mm]	140	170	100	170	175	185
Width [mm]	360	460	900	460	555	665
Depth [mm]	385	420	360	420	455	555

<b>Sealing configuration</b>	<b>Net sealing length</b>					
1 x seal beam on the long side: L [mm]	<b>330</b>	<b>430</b>	860	<b>430</b>	520	630
2 x seal beam on the long side: LL [mm]	-	-	-	2x 430	-	-
2 x seal beam on the short side: KK [mm]	-	-	<b>2x 330</b>	-	<b>2x 430</b>	<b>2x 520</b>

<b>Vacuum pump</b>						
Capacity (50 Hz) [m <sup>3</sup> /h]	16	21	21	21	40	63
Capacity (60 Hz) [m <sup>3</sup> /h]	19	24	24	24	48	76
Final pressure [mbar]	2	2	2	2	0,5	0,5
Oil quantity [l]	0,3	0,5	0,5	0,5	1	2
Weight vacuum pump [kg]	18	19	19	19	38	52
Noise (50 Hz) [dB(A)]	60	62	62	62	64	65
Noise (60 Hz) [dB(A)]	64	62	62	62	67	69

**10.1.2 Machines with a transparent cover i-series (Table top and Mobile)**

Type	100i	150i	170i	200i	340i	
------	------	------	------	------	------	--

<b>Size and weight</b>						
Height [mm]	475	480	995	1025	995	
Width [mm]	465	535	545	715	1070	
Depth [mm]	560	580	745	785	745	
Weight [kg]	64	75	90	135	155	

<b>Size and weight of the packed machine</b>						
Height [mm]	670	670	1200	1310	1200	
Width [mm]	670	710	650	870	1170	
Depth [mm]	660	660	850	880	850	
Weight [kg]	73	89	120	175	200	

<b>Size of the vacuum chamber</b>						
Height [mm]	140	170	170	210	170	
Width [mm]	360	460	460	610	460	
Depth [mm]	385	420	555	510	555	

<b>Sealing configuration</b>	<b>Net sealing length</b>					
1 x seal beam on the long side: L [mm]	<b>330</b>	<b>440</b>	<b>440</b>	600	<b>440</b>	
2 x seal beam on the long side: LL [mm]	-	2x 440	2x 440	<b>2x 500</b>	2x 440	
2 x seal beam on the short side: KK [mm]	-	-	-	-	-	

<b>Vacuum pump</b>						
Capacity (50 Hz) [m <sup>3</sup> /h]	16	21	21	63	40	
Capacity (60 Hz) [m <sup>3</sup> /h]	19	24	24	76	48	
Final pressure [mbar]	2	2	2	0,5	0,5	
Oil quantity [l]	0,3	0,5	0,5	2	1	
Weight vacuum pump [kg]	18	19	19	52	38	
Noise (50 Hz) [dB(A)]	60	62	62	65	64	
Noise (60 Hz) [dB(A)]	64	62	62	69	67	

**10.1.3 Machines with a metal cover (Heavy duty)**

Type	(E-)203	(E-)303	(E-)403	(E-)453	(E-)493	(E-)503
------	---------	---------	---------	---------	---------	---------

<b>Size and weight</b>						
Height [mm]	1135	1145	1150	1150	1265	1225
Width [mm]	725	935	1570	1570	2020	2020
Depth [mm]	810	850	870	1210	960	1210
Weight [kg]	195	262	420	550	675	755

<b>Size and weight of the packed machine</b>						
Height [mm]	1335	1375	1330	1330	1330	1330
Width [mm]	950	1180	1780	1780	2240	2240
Depth [mm]	955	1035	1040	1300	1100	1440
Weight [kg]	244	322	515	695	835	935

<b>Size of the vacuum chamber</b>						
Height [mm]	190	210	190	190	255	220
Width [mm]	640	850	760	760	1000	1000
Depth [mm]	560	610	660	920	760	1010

<b>Sealing configuration</b>	<b>Net sealing length</b>					
1 x seal beam on the long side: L [mm]	630	810				
1 x seal beam on the short side: K [mm]	520	570				
2 x seal beam on the long side: LL [mm]		2x 810	<b>2x 620 (720)</b>	<b>2x 620 (720)</b>	<b>2x 810 (950)</b>	<b>2x 850 (950)</b>
2 x seal beam on the short side: KK [mm]	<b>2x 520</b>	2x 570				
1 x seal beam on the short side and 1 x seal beam on the long side: KL [mm]		<b>505/810</b>				
2 x seal beam on the short side and 1 x seal beam on the long side: KLK [mm]		505 810 505				

<b>Vacuum pump</b>						
Capacity (50 Hz) [m <sup>3</sup> /h]	63	100	100	160	250	250
Capacity (60 Hz) [m <sup>3</sup> /h]	76	120	120	190	300	300
Final pressure [mbar]	0,5	0,5	0,5	0,5	0,5	0,5
Oil quantity [l]	2	2	2	5	6,5	6,5
Weight vacuum pump [kg]	52	70	70	140	190	190
Noise (50 Hz) [dB(A)]	65	67	67	70	72	72
Noise (60 Hz) [dB(A)]	69	71	71	72	74	74

## 10.2 Machines in the aluminium series

Type	(E-)150	(E-)200	(E-)300	(E-)350		
------	---------	---------	---------	---------	--	--

### Size and weight

Height [mm]	475	1035	1040	1040		
Width [mm]	520	700	900	1340		
Depth [mm]	560	710	780	740		
Weight [kg]	61	135	175	230		

### Size and weight of the packed machine

Height [mm]	680	1310	1310	1210		
Width [mm]	660	870	1140	1540		
Depth [mm]	760	880	1000	900		
Weight [kg]	74	175	225	285		

### Size of the vacuum chamber

Height [mm]	170	170	200	170		
Width [mm]	420	610	810	610		
Depth [mm]	420	510	560	510		

### Sealing configuration

### Net sealing length

1 x seal beam on the long side: L [mm]	<b>410</b>		800			
1 x seal beam on the short side: K [mm]			550			
2 x seal beam on the long side: LL [mm]			2x 800	<b>2x 600 (650)</b>		
2 x seal beam on the short side: KK [mm]		<b>2x 500</b>	2x 550			
1 x seal beam on the short side and 1 x seal beam on the long side: KL [mm]			<b>500 / 740</b>			

### Vacuum pump

Capacity (50 Hz) [m <sup>3</sup> /h]	16	40	63	40		
Capacity (60 Hz) [m <sup>3</sup> /h]	19	48	76	48		
Final pressure [mbar]	2	0,5	0,5	0,5		
Oil quantity [l]	0,3	1	2	1		
Weight vacuum pump [kg]	18	38	52	38		
Noise (50 Hz) [dB(A)]	60	64	65	64		
Noise (60 Hz) [dB(A)]	64	67	69	67		

### 10.3 Connections

<b>Electrical</b>	
Voltage, Current, Frequency	See the identification plate (Fig. 1-1)
Maximum voltage tolerance	- 10% tot + 10%

<b>Gas (optional)</b>	
Maximum permissible pressure	1 bar
Composition	No explosive (like oxygen), corrosive, caustic and/or contaminated gasses
Connection	Hose pillar 8 mm

<b>External sealing pressure (optional)</b>	
Maximum permissible pressure	1 bar
Composition	Clean, dry compressed air
Connection	Hose pillar, 8 mm

### 10.4 General data

<b>Recommended oil types (DIN 51506; VC)</b>	<b>At ambient temperature of</b>
VM 032	< 0° C
VM 068	5 - 12° C
VM 100	12 - 30° C
VS 100, of VE 101	30 - 40° C

<b>Ambient circumstances</b>	
Ambient temperature	+ 5 tot + 30° C
Transport temperature	- 25 tot + 55° C
Positioning	inside, level, free of walls, etc.



- Voltage data was not included in this summary because these are dependent on the electricity supply of the country that the machine is intended for. The voltage data are given on the machine identification plate (Fig. 1-1).
- The useful space in the vacuum chamber depends on the number of seal beams and their positioning. Each seal beam lessens the useful space by about 50 mm.
- Sizes and weights are for the standard model machines.

# 11. CE-DECLARATION

CE DECLARATION OF CONFORMANCE

(according to annex IIA of the machine guideline)

We, HFE Vacuum Systems B.V.  
Het Sterrenbeeld 36, 5215 ML 's-Hertogenbosch  
The Netherlands,

declare totally on our own responsibility that the products:

**Henkovac Vacuum packing machines:**  
**(E-)103, (E-)153, (E-)163, (E-)173, (E-)193 and (E-)253,**  
**(E-)203, (E-)303, (E-)403, (E-)453, (E-)493 and (E-)503,**  
**(E-)150, (E-)200, (E-)300 and (E-)350.**  
**100i, 150i, 170i, 200i and 340i.**

to which this declaration refers, comply with the following standards:

- **EN 60204-1: 1997;**
- **EN 60335-1: 1994;**
- **EN 55014, EN 60555-2 and EN 60555-3;**
- **EN 55014-2 carried out using the values of the EN 50082-2**

according to the determinations of:

- the machine guideline 89/392/EEG, amended by the guidelines 91/368/EEG, 93/44/EEG, 93/68/EEG;
- the low voltage guideline 73/23/EEC, amended by the guideline 93/68/EEG;
- the EMC-guideline 89/336/EEC, amended by the guidelines 92/31/EEG, 93/68/EEG.

A. van der Velden  
Managing Director



The Netherlands, 's-Hertogenbosch, march 2006